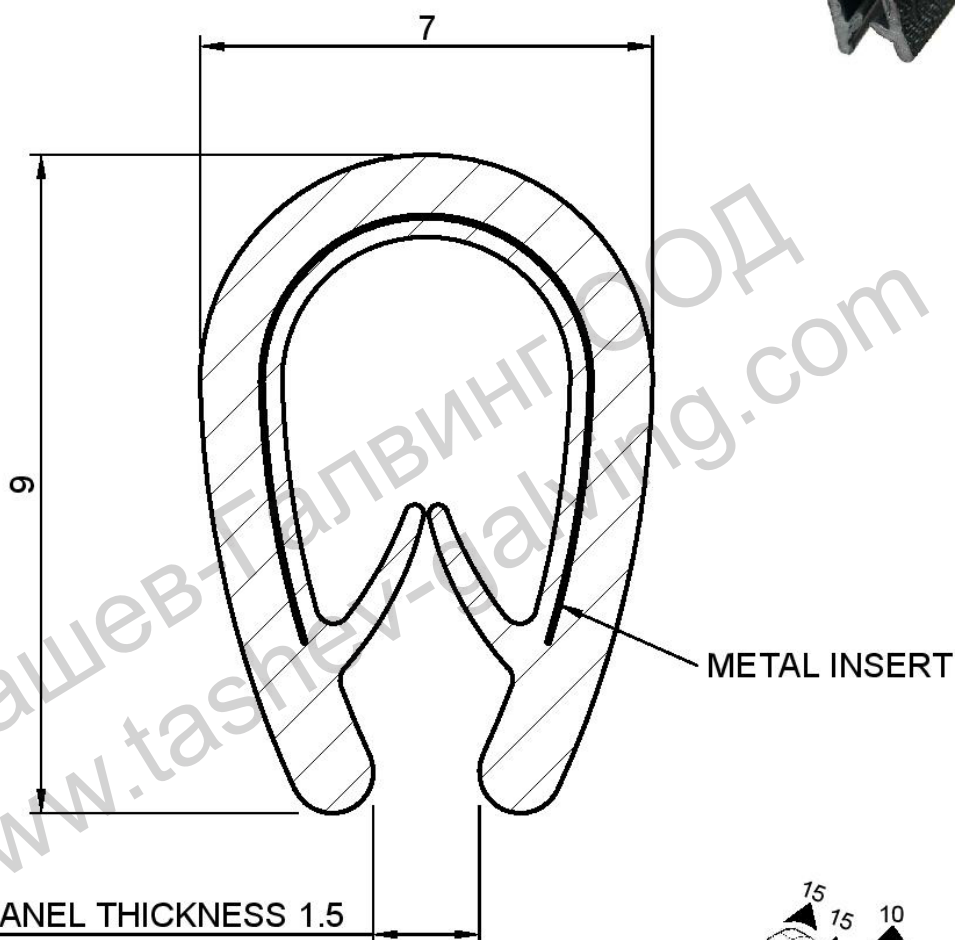


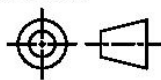
Профил за защита на ръбове №17 с метална вложка

DESCRIPTION	ORDER CODE
BLACK CLIP ON EDGE TRIM	17



NOTE:

1. SOLD BY THE METRE OR COIL
2. COIL LENGTH 50 METRES
3. WEIGHT 70 GRAMS PER METRE
4. THIS IS A FLEXIBLE COMPONENT THEREFORE OVERALL DIMENSIONS ARE APPROXIMATE

MATERIAL (REFER TO OUR DATA SHEET FOR FULL TECHNICAL DATA) PVC 70° SH WITH METAL INSERT	TOLERANCE TO BS 3734 CLASS E3	ISSUE DATE 29.09.17
		SCALE 10 : 1
		PROJECTION 
		DIMENSIONS IN MM